

FEATURES

- ✓ Individual addresses
- ✓ Common loop input
- ✓ Quick release terminals
- ✓ DGP box ready for 1 to 8 modules



PRODUCT DESCRIPTION

The SS-XP10M is a 10 Monitor Input Module for use with the FireSense 2800 & 3030 Series Intelligent Alarm System.

A common loop connection is used for all modules thus reducing field cabling. Each monitor operates independently from each other.

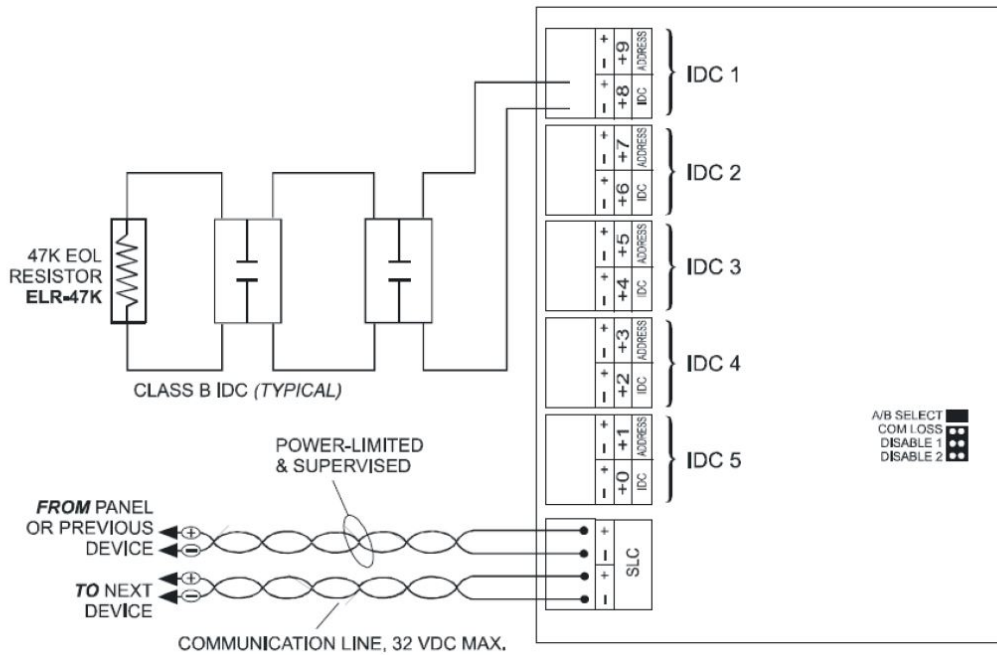
Each module has its own unique address. A pair of rotary code switches is used to set the address of the first module from 01 to 150. The remaining modules are automatically assigned to the next nine higher addresses. Provisions are included for disabling a maximum of two unused modules to release the addresses to be used elsewhere (you will need to powercycle the module for this to take effect). Each module also has panel controlled green LED indicators. The panel can cause the LEDs to blink, latch on, or latch off.

It is capable of monitoring 10 individual, normally open contact fire alarm and supervisory devices; or either normally open or normally closed security devices. The module has a single panel-controlled LED per unit.

TECHNICAL SPECIFICATIONS

Normal Operating Voltage	15 to 32Vdc
Standby Current	3.5mA
Alarm Current	55mA (assumes all LEDs solid on)
Temperature Range	-10°C to +55°C
Humidity	10 to 93% Non-condensing
End of Line Resistor	47K Ohms
Dimensions	173mm H x 148mm W x 32mm D

CONNECTION INFORMATION



ORDERING INFORMATION

Product Code	Description
SS-XP10M	Flashscan/Clip 10 way monitored input module (XP10M)

APPROVALS

- ✓ SSL Approved
- ✓ ActivFire certified - Listing No. afp-1801