

### SSF-FCM1 FlashScan Addressable Control

#### FEATURES

- ✓ LED indication
- ✓ FlashScan – 159 per loop
- ✓ 24Vdc monitored output
- ✓ Rotary wheel for ease of addressing



#### PRODUCT DESCRIPTION

The SSF-FCM1 Addressable Control Module is intended for use on intelligent, two wire systems where the individual address of each module is selected using built-in rotary switches.

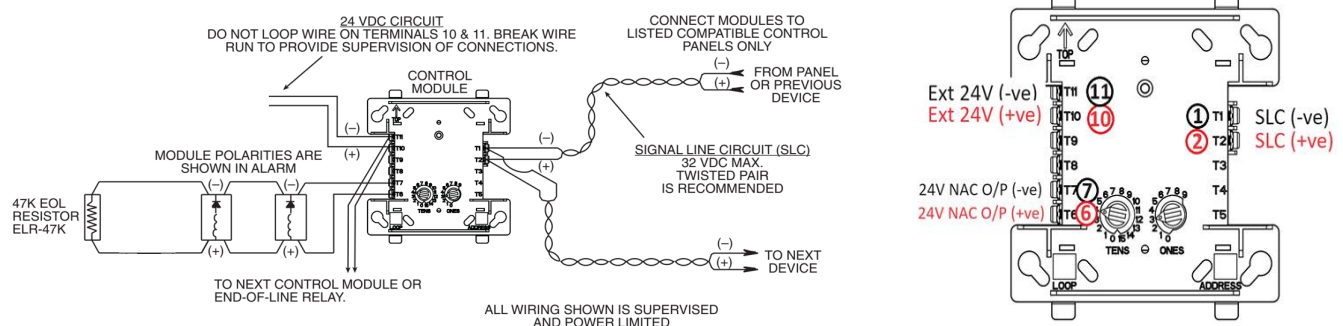
The SSF-FCM1 provides a monitored 24Vdc output suitable for powering ancillary devices such as bells, test solenoids, etc. The SSF-FCM1 requires external 24Vdc.

Each SSF-FCM1 uses one of 159 available module addresses on a loop.

#### TECHNICAL SPECIFICATIONS

Nominal Operating Voltage	15 to 32Vdc
EOL Resistance	47K Ohms
Maximum Current Draw	6.5mA (LED on)
Temperature Range	0°C to 49°C
Humidity Range	10 to 93% non-condensing
Dimensions	118mm H x 110mm W x 35mm D
Mounting Box (SS-SMB500)	125mm H x 125mm W x 52mm D

#### CONNECTION INFORMATION



**ORDERING INFORMATION**

---

Product Code	Description
SSF-FCM1	Flashscan/clip supervised control module

**APPROVALS**

---

- ✓ SSL Approved
- ✓ ActivFire certified - Listing No. afp-1801