

FEATURES

- ✓ Individual addresses
- ✓ Common loop input
- ✓ Quick release terminals
- ✓ DGP box ready for 1 to 8 modules
- ✓ Monitored outputs



PRODUCT DESCRIPTION

The SS-XP6C is a 6 Circuit Supervised Control Output Module for use with the FireSense 2800 & 3030 Series Intelligent alarm system. Each module is intended for switching applications involving AC or DC, which require wiring supervision.

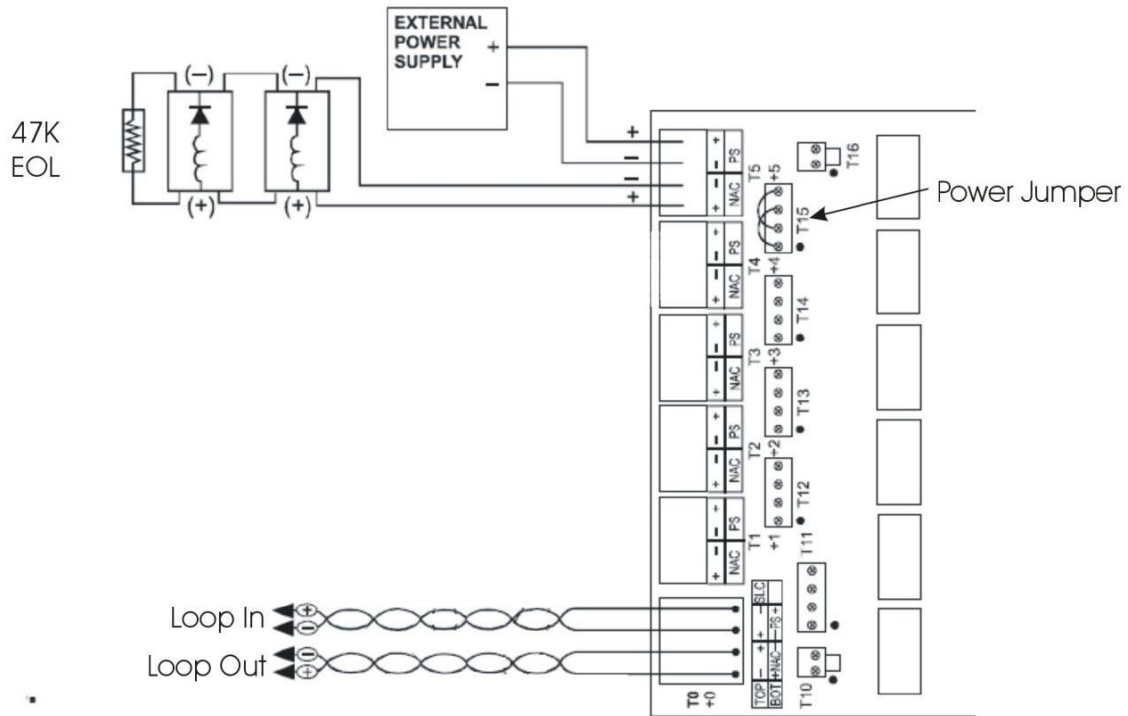
A common loop input is used for all modules. Each module has its own address. A pair of rotary code switches is used to set the address of the first module. The remaining modules are automatically assigned to the next five higher addresses. Provisions are included for disabling a maximum of three unused modules to release the addresses to be used elsewhere (you will need to power cycle the module for this to take effect).

Each module has terminals for connection to an external supply circuit for powering ancillary devices. Jumpers are also provided to common up the power supply to all 6 modules.

TECHNICAL SPECIFICATIONS

Normal Operating Voltage	15 to 32Vdc
Standby Current	2.25mA
Alarm Current	35mA
Relay Contact Rating @30Vdc	3A Resistive, 1A Inductive
Temperature Range	-10°C to 55°C
Humidity	10 to 93% Non-condensing
End of Line Resistor	47K Ohms
Dimensions	173mm H x 148mm W x 32mm D

CONNECTION INFORMATION



ORDERING INFORMATION

Product Code	Description
SS-XP6C	Flashscan/Clip 6 way monitored output module (XP6C)

APPROVALS

- ✓ SSL Approved
- ✓ ActivFire certified - Listing No. afp-1801