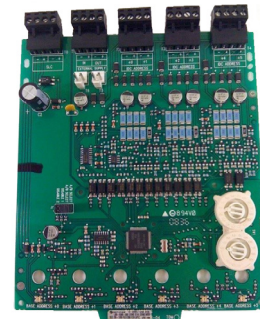


FEATURES

- ✓ Individual addresses
- ✓ Common loop input
- ✓ Quick release terminals
- ✓ DGP box ready for 1 to 8 modules
- ✓ Monitors both zone and power connections



PRODUCT DESCRIPTION

The SS-XP6MA is a 6 conventional detection circuit input module for use with the FireSense 2800 & 3030 Series intelligent alarm system.

A common loop input is used for all modules thus reducing field cabling. Each zone monitor operates independently from each other. Each module has its own unique address.

A pair of rotary code switches is used to set the address of the first module. The remaining modules are automatically assigned to the next 5 higher addresses. Provisions are included for disabling a maximum of two unused modules to release the addresses to be used elsewhere (you will need to powercycle this module for this to take effect).

The XP6MA transmits the status of a zone of two wire detectors to the fire alarm panel. Status conditions are reported as normal, open or in alarm.

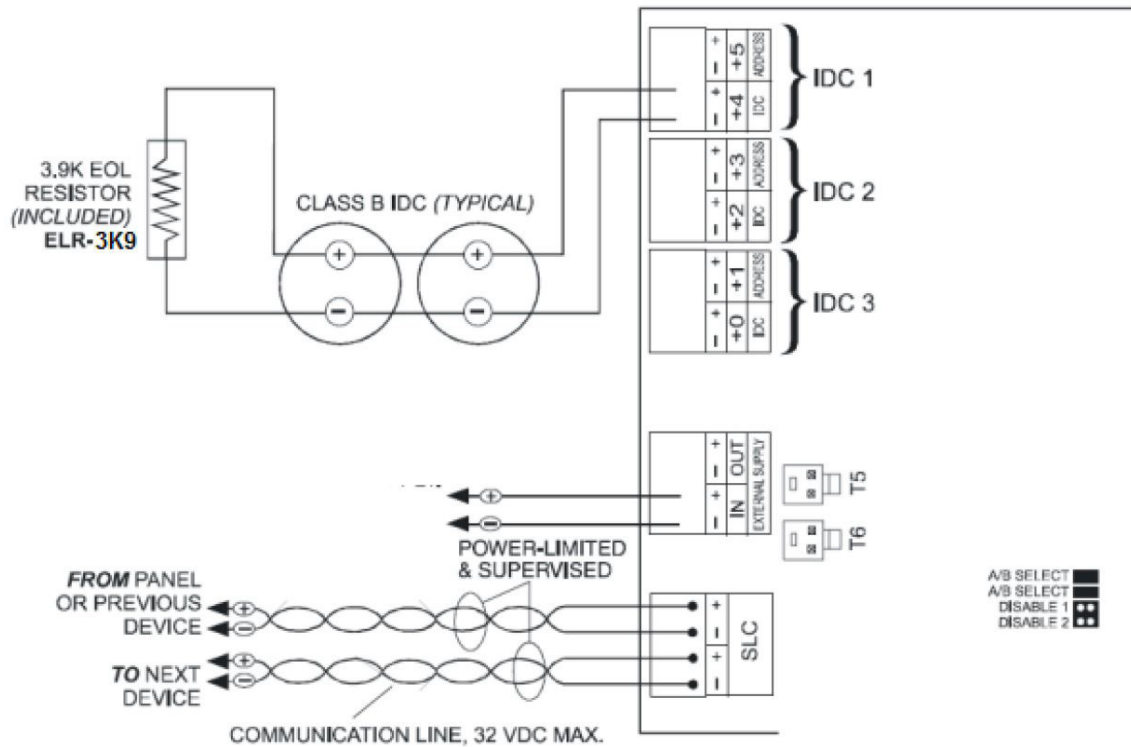
The interface module supervises the zone of detectors and the connection of the external power supply. Each module also has panel controlled green LED indicators. The panel can cause the LED's to blink, latch on, or latch off.

The SS-XP6MA requires external 24Vdc.

TECHNICAL SPECIFICATIONS

Normal Operating Voltage	18 - 28Vdc
Standby Current	2.2mA
Total Board Alarm Current	40mA (assumes all LEDs solid on)
Temperature Range	-10°C to +55°C
Humidity	10 to 93% Non-condensing
End of Line Resistor	3K9 Ohms
Dimensions	173mm H x 148mm W x 32mm D

CONNECTION DIAGRAM



ORDERING INFORMATION

Product Code	Description
SS-XP6MA	Flashscan/Clip 6 conventional zone module (XP6MA)

APPROVALS

- ✓ ActivFire certified - Listing No. afp-1801