



PRODUCT DESCRIPTION

Solid state dual level LED Warning Signs, ideal for use with gaseous protection systems. Static warning signs also available.

Unique LED design provides for low current consumption with maximum brightness.

Signs can have external sounders and remote mute buttons.

Signs can be configured as 2 wire or 3 wire, in 2 wire mode dual level alarms are achieved by simply reversing polarity on the input.

TECHNICAL SPECIFICATIONS

Operational Voltage	18Vdc to 28Vdc
Power Consumption @ 24Vdc	Level 1: 55mA Level 2: 140mA (100mA when muted)
Dimensions	315mm W x 190mm H x 73mm D
IP Rating	IP50 (IP54 with gasket fitted)
Environmental	-10°C to +55°C dry heat +40°C @ 93% relative humidity
LED Light Colour	WARN-S: Red WARN-SYS (Extinguishing System Inoperative): Yellow

Weatherproof:

Dimensions	295mm W x 200mm H x 70mm D
VWV Rating	IP65
Construction	UV Protected PVC

FACEPLATES AVAILABLE

- Custom face plate. Note: This is an indent item, lead times may apply
- “DO NOT ENTER GAS DISCHARGED”
- “FIRE ALARM, DO NOT ENTER”
- “FIRE ALARM, EVACUATE AREA”
- “FIRE DOOR CLOSING”

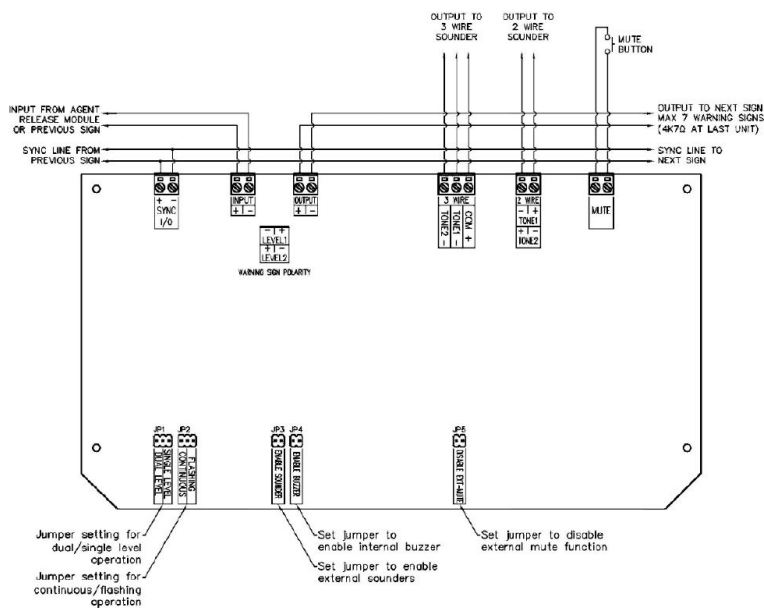
*The above faceplates are also available in weatherproof versions.



STATIC WARNING SIGNS AVAILABLE

- “FIRE DOOR CLOSING”
- “SLIDING FIRE DOOR”

CURRENT RELEASE

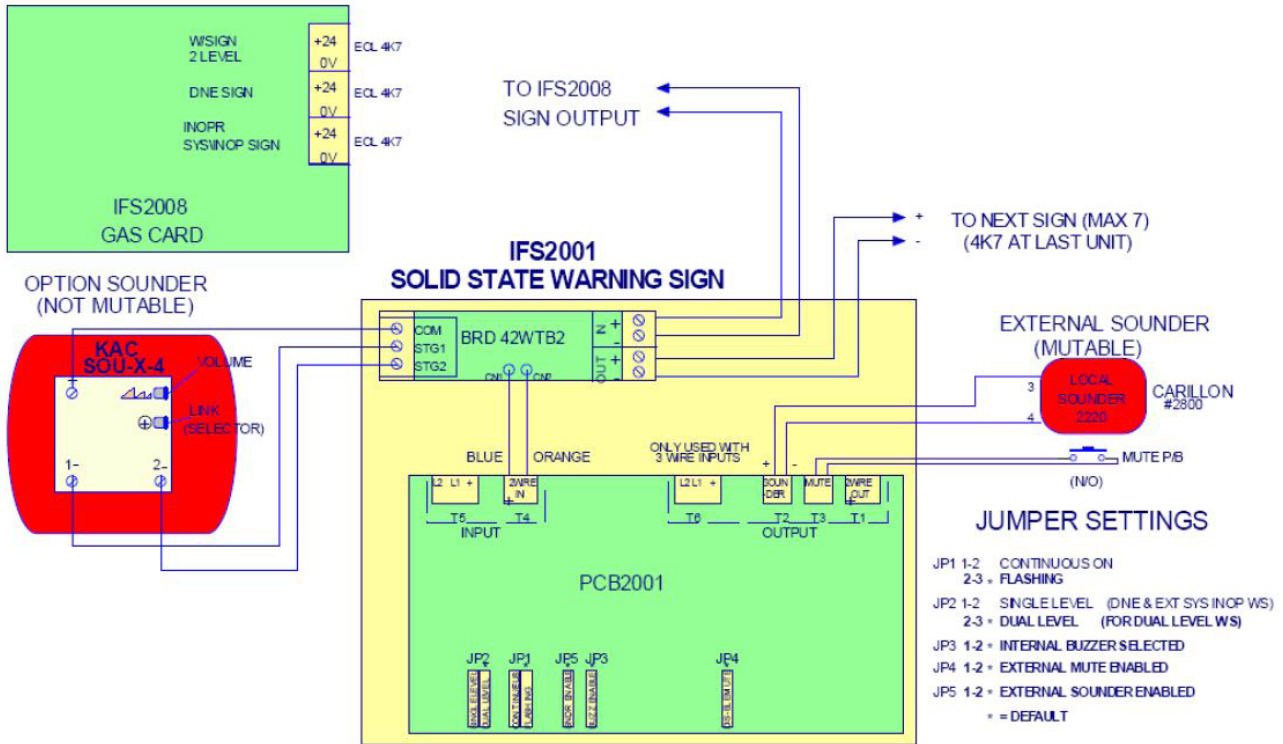


Jumper No.	Description		
JP-1	1-2	Dual Level	Top rows LEDs will be ON at Level 1 Alarm All LEDs will be ON at Level 2 Alarm
	2-3	Single Level	All LEDs will be ON at both Level 1 & 2 Alarm
JP-2	1-2	Continuous	LEDs permanently ON. Internal buzzer outputs continuous tone. LEDs flash at the approximate rate of 2.3 Hz
	2-3	Flashing	Internal buzzer outputs tone matching the flashing LEDs.
JP-3	1-2	Enable Sounder	External Sounder will be active at both Level 1 & 2 Alarm
JP-4	1-2	Enable Buzzer	Internal buzzer will be active at both Level 1 & 2 Alarm
JP-5	1-2	Disable Ext-Mute	Disable external mute for both internal buzzer and external sounder.

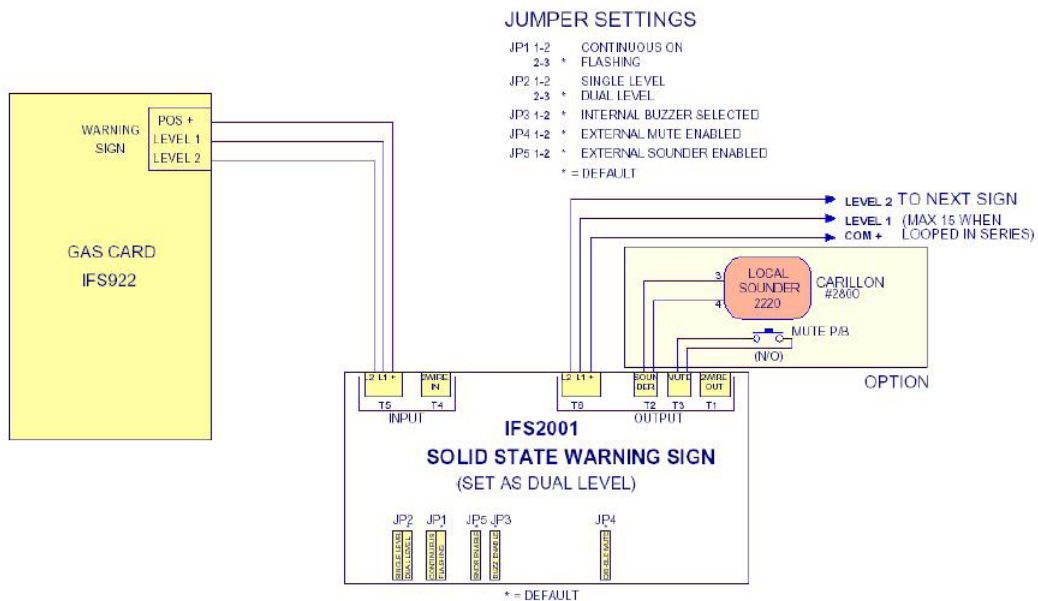
Table 1: Jumper Configuration

CONNECTION INFORMATION

Model 2008 Gas Card



Model 922 Gas Card



ORDERING INFORMATION

Warning Signs

Product Code	Description
WARN-S	Warning sign - LED (without face plate)
WARN-SYS	Warning sign - extinguishing system inoperative - complete
WARN-SYS-WP	Weatherproof warning sign - extinguishing system inoperative - complete
WARN-WP	Weatherproof warning sign - LED (without face plate)

Faceplates

Product Code	Description
WS-DNE-GD	Warning sign face plate "DO NOT ENTER GAS DISCHARGED"
WS-FA-DNE	Warning sign face plate "FIRE ALARM DO NOT ENTER"
WS-FA-DNE-WP	Weatherproof warning sign face plate "FIRE ALARM DO NOT ENTER"
WS-FA-EA	Warning sign face plate "FIRE ALARM EVACUATE AREA"
WS-FA-EA-WP	Weather proof warning sign face plate "FIRE ALARM EVACUATE AREA"
WS-FDC	Warning sign face plate "FIRE DOOR CLOSING"

Static Warning Signs

Product Code	Description
WS-STATIC-FDC	Static warning sign - "WARNING FIRE DOOR CLOSING"
WS-STATIC-SFD	Static warning sign - "WARNING SLIDING FIRE DOOR"

Custom Plate

Product Code	Description
WS-CUST*	Warning sign face plate "CUSTOM FACE PLATE"
WS-CUST-WP*	Weatherproof warning sign face plate "CUSTOM FACE PLATE"

*This is an indent item, lead times apply. Contact your local FireSense branch for pricing and lead times.