

FEATURES

- ✓ 32 tones (user selectable)
- ✓ High output sounder beacon
- ✓ Automatic sounder synchronization
- ✓ Volume control
- ✓ Lockable base
- ✓ IP65 when installed with deep base



PRODUCT DESCRIPTION

The FLASHNI is a combined sounder strobe (beacon) which requires one single installation point. This greatly reduces installation costs and is much less obtrusive than two separate devices.

Providing an audio-visual warning, the FLASHNI combines the features of a ROSHNI electronic sounder with a fully integrated Xenon beacon. It is suitable for installation in internal or external locations where a combination of high sound output and visual indication is required, such as elderly people’s dwellings and areas with high ambient noise levels. It is available with a shallow or deep base.

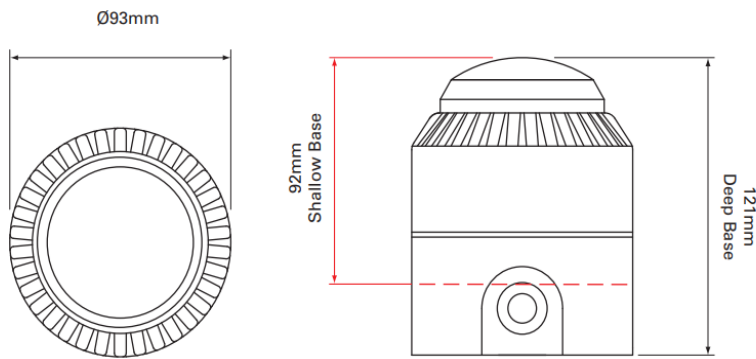
TECHNICAL SPECIFICATIONS

Voltage	18-28Vdc
Current	68mA @ 24Vdc
Sound Output	101dB(A)
Beacon	0.7j
Flash Rate	60/min (1Hz)
Temperature	-10°C to +55°C
IP Rating	IP54 (FULL-R-D-BASE Required for IP65)
Lens Colour	Red
Body Colour	Red

RECOMMENDED TONE DIP SWITCH SETTINGS

DIP SW	Tone
00111	IS08201-1 3 x 500ms pulses 970hZ 1.5s pause – repeat
00110	IS08201-2 3 x 500ms pulses 2850hZ 1.5s pause – repeat

DIMENSIONS



ORDERING INFORMATION

Product Code	Description
FLASHNI	Combined sounder strobe 90dB IP54