

#### FEATURES

- ✓ Volume control
- ✓ 32 Tones (user selectable)
- ✓ High sound output
- ✓ Low current consumption
- ✓ Automatic synchronisation
- ✓ Second tone for two stage alarms
- ✓ Lockable base



#### PRODUCT DESCRIPTION

The ROSHNI is a high specification wall mounting sounder suitable for signaling within open areas or corridors. The rugged low profile casing and encapsulated electronics provide a high level of durability and resistance to environmental conditions.

The wide operating voltage and range of tones make this sounder extremely flexible and adaptable. Additionally, it is compatible with the majority of fire and emergency signaling tones in use throughout the world today.

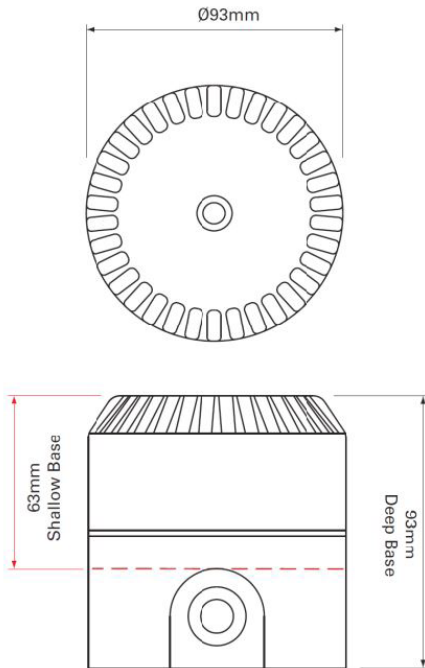
#### TECHNICAL SPECIFICATIONS

|                     |   |
|---------------------|---|
| <b>Voltage</b>      | 9-15Vdc 18-28Vdc                              |
| <b>Current</b>      | 12mA (Typical tone 3)                         |
| <b>Sound output</b> | 102dB(A) at 24Vdc (Typical tone 3)            |
| <b>Temperature</b>  | -25°C to +70°C                                |
| <b>Construction</b> | ABS   |
| <b>IP Rating</b>    | Shallow base = IP54<br>Deep/U base = IP65     |
| <b>Weight</b>       | 0.24kg (shallow base)<br>0.25kg (deep/U base) |
| <b>Tones</b>        | 32  |
| <b>Colour</b>       | Red (shallow also available in white)         |

#### RECOMMENDED TONE DIP SWITCH SETTINGS

| DIP SW | Tone   |
|--------|--|
| 00111  | ISO8201-1<br>3 x 500ms pulses 970hZ - 1.5s pause - repeat  |
| 00110  | ISO8201-2<br>3 x 500ms pulses 2850hZ - 1.5s pause - repeat |

#### DIMENSIONS



#### ORDERING INFORMATION

|                      |   |
|----------------------|---|
| <b>ROSH-D</b>        | Roshni red sounder with deep red base                     |
| <b>ROSH-S</b>        | Roshni red sounder with shallow red base                  |
| <b>ROSH-S-WHITE</b>  | Roshni white sounder with shallow white base              |
| <b>FULL-W-D-BASE</b> | Separate deep white base for IP65 rating for white Roshni |