

PRODUCT DESCRIPTION

The Sirena is an Internationally approved Conventional MCP. This is an EExD model suitable for Hazardous commercial and industrial use, utilising a single pole change over.



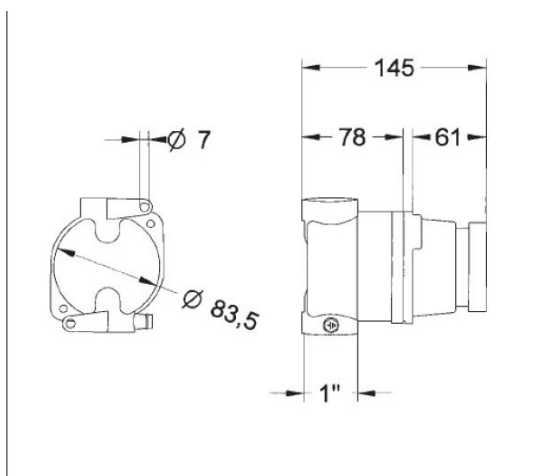
TECHNICAL SPECIFICATIONS

Switch Action	Single pole change over
Contact Rating (A)	10A at 24Vdc and 250VAC
Protection Rating	IP66
Temp Range (°C)	-40 to +60
Cable Entry	2 x M25
Construction	Aluminium alloy UNI 4514
Weight	1.09kg

APPROVALS

- ✓ ATEX II 2GD EEx de IIC
- ✓ CESI 01-ATEX 092

DIMENSIONS



Note: This is an indent item, lead times of up to 4-6 weeks may apply.