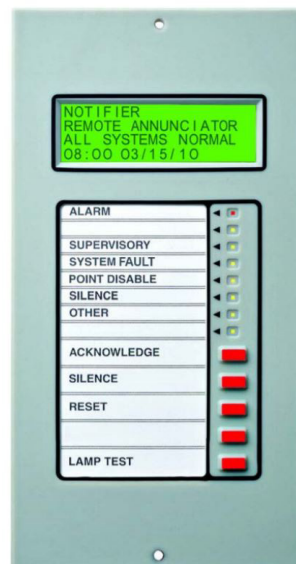


### FEATURES

- ✓ 80 character backlit Liquid Crystal Display
- ✓ Display mimics AFP-3030 or NCA-2:
  - Event message
  - 20 characters for point label
  - 12 characters for extended label
  - Time, date and point address
- ✓ Control switches for System Acknowledge, Silence
- ✓ Alarm Devices test and System Reset (Firmware up to v26.5)
- ✓ LEDs for general off-normal events
- ✓ Local piezo sounder with alarm/fault resound
- ✓ Displays all analog addressable points
- ✓ Displays device and zone custom labels
- ✓ Displays device type identifiers
- ✓ Slide-in label can be customized
- ✓ Flush/surface/panel mount option
- ✓ Up to 32 LCD2-80s may be used on one RS-485 circuit
- ✓ Displays time, date and custom messages received from compatible panel or network annunciator



### PRODUCT DESCRIPTION

The LCD2-80 is a backlit LCD annunciator for the AFP-3030 fire alarm control panel, or NCA-2 network control annunciator. LCD2-80s may be connected onto the four-wire EIA-485 terminal port.

Up to 32 LCD2-80s can annunciate and provide remote reset (Firmware up to v26.5), acknowledge, and silence of the control panel from remote locations.

The LCD2-80 can be configured in one of two modes; in 'terminal mode' the LCD2-80 mimics the display of AFP3030 or NCA-2. In 'annunciator' mode, the LCD2-80 can be programmed to display custom messages which are activated by a control-by-event (script).

### TERMINAL MODE

In terminal mode, the LCD2-80 mimics the AFP-3030 and NCA-2 display.

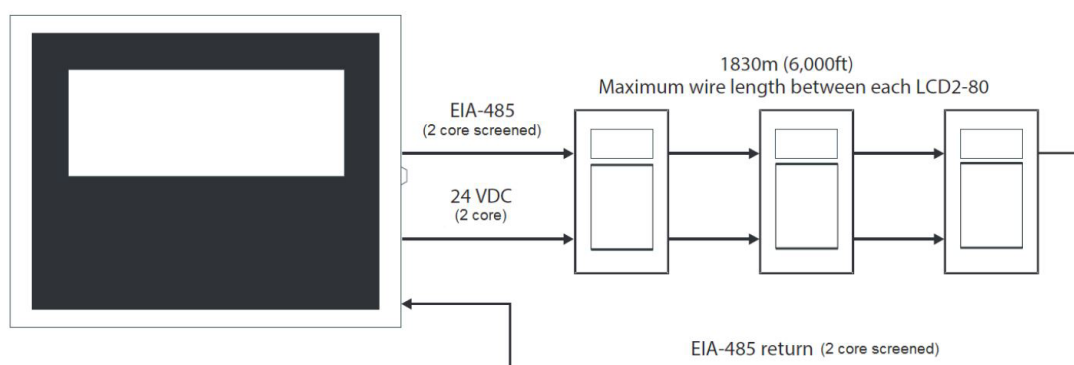
- ✓ No programming necessary
- ✓ LCD-80 displays time, date, and events of FACP
- ✓ Displays device type identifiers
- ✓ Alarm/fault/disable count
- ✓ Scroll buttons to view multiple events
- ✓ Mute button to silence internal sounder

*Note: 3030-LCD2-80 must be wired in a return loop on the RS-485.*

#### ANNUNCIATOR MODE

In annunciator mode, the LCD2-80 acts as a remote display interface which displays pre-programmed messages that are activated by a script event at the FACP.

- ✓ Up to 2,976 pre-programmable messages, programmed via VeriFire Tools
- ✓ Displays message number being read and total number of active messages
- ✓ Scroll buttons to view multiple messages



AFP-3030 or NCA-2 connecting to LCD2-80

#### TECHNICAL SPECIFICATIONS

|                              |  |
|------------------------------|--|
| Operating Temperature        | 0°C to 40°C  |
| Operating Humidity           | 0% to 95% relative humidity (non-condensing)   |
| Supply Power                 | 24Vdc nominal (17Vdc to 28Vdc)   |
| Current Requirements @ 24Vdc | <b>Normal (no activity): 84mA</b><br><b>Lamp Test: 105mA</b><br><b>AC Fail (Piezo ON): 45mA</b><br><b>AC Fail (Piezo OFF): 28mA</b><br><b>Alarm (Piezo ON): 98mA</b><br><b>Alarm (Piezo OFF): 85mA</b> |
| Dimensions                   | 210mm H x 110mm W x 45mm D   |

### MOUNTING ENCLOSURES AVAILABLE

|           |  |
|-----------|--|
| N-ABF-1DB | Recessed metal box – Perspex door, 003 key                 |
| N-ABF-2DB | Recessed metal box – Perspex door, 003 key; 2 Annunciators |
| N-ABF-1B  | Recessed metal box – No door (plastic surround)            |
| N-ABS-1TB | Metal surface mount box with metal trim                    |

### ENCLOSURE DIMENSIONS

|  |  |
|--|--|
| 1DB, 1B, 1TB (back box only)           | 253mm H x 118mm W x 65mm D (not sold separately) |
| 2DB (back box only)                    | 255mm H x 235mm W x 95mm D (not sold separately) |
| N-ABF-1DB (includes box and faceplate) | 273mm H x 155mm W x 85mm D                       |
| N-ABF-2DB (includes box and faceplate) | 275mm H x 265mm W x 115mm D                      |
| N-ABF-1B (includes box and faceplate)  | 280mm H x 160mm W x 75mm D                       |
| N-ABS-1TB (includes box and faceplate) | 270mm H x 123mm W x 65mm D                       |



N-ABF-1DB



N-ABF-2DB



N-ABS-1TB



N-ABF-1B

### ORDERING INFORMATION

| Product Code | Description                         |
|--------------|-------------------------------------|
| 3030-LCD2-80 | 80 character LCD remote mimic panel |