

FEATURES

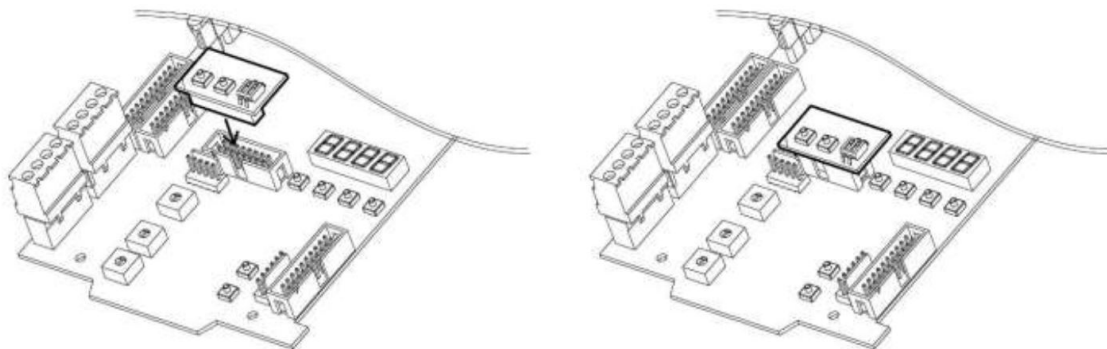
- ✓ 2 x custom recordable messages
- ✓ Up to 20 seconds per message
- ✓ Recorded via paging microphone or analogue audio output using cable supplied



PRODUCT DESCRIPTION

The OWS-CMM-2 is an expansion board which adds two additional custom messages to the FireSense OWS amplifiers that already have voice message capability. Each custom message can be up to 20 seconds in length and can be recorded through the local PA microphone or another audio source, such as a PC. Once the messages are recorded, the OWS-CMM-2 can be transferred to any Building Occupant Warning System.

INSTALLATION INFORMATION



1. Remove the power from the amplifier.
2. Insert the OSW-CMM-2 into the amplifier as per diagram above. The OWS-CMM-2 must have the white corner indicator furthest away from the seven segment display.
3. Power up the amplifier. To record custom messages see below.

RECORDING CUSTOM MESSAGES

NOTE: If the Amplifier is setup on a network, remove the network cable while the card is being programmed.

Local PA

1. Set dipswitch-1 (see diagram below) to 'ON' position enabling the RECORD and PLAY buttons. This will put the system into record mode and set the amplifier to 'OFF' on the front display card. The seven segment display will show [] [] and also generate a fault on the system.

2. Select the message number you want to record using dipswitch-2 on the CMM-2:

- 'OFF' for message 1

- 'ON' for message 2

At this point the existing programmed message can be played by pressing the PLAY button.

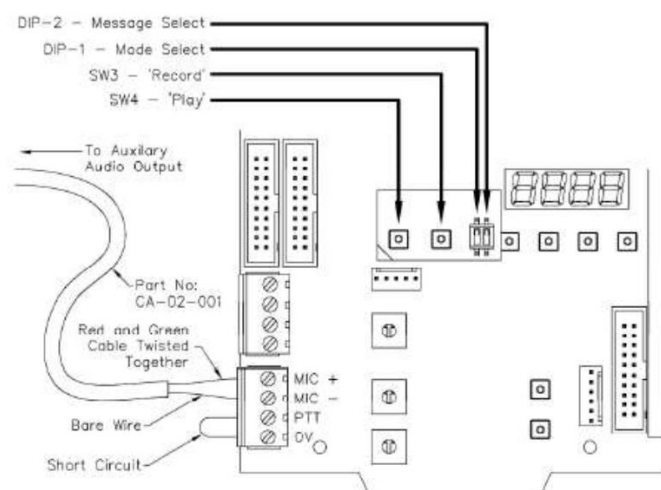
3. Press the RECORD button, a count down will be displayed on the seven segment display. Press and hold the Push To Talk (PTT) on the PA microphone before the counter gets to zero. Recording will start when the counter gets to zero which will be indicated by a flashing red LED.

4. Speak the message into the microphone. To stop recording, press the RECORD button a second time. Release the PTT button after the flashing red LED has stopped. A check will now initiate.

5. At the completion of the check, the seven segment display will in followed by the message number. The message is now saved and can be played back by pressing the PLAY button.

6. Repeat the same process to record the other message if required.

7. Set dipswitch-1 to 'OFF' to return the amplifier to normal mode.



From PC

1. Disconnect the PA microphone (if fitted) from the NI-2019-03 pre-amp board.

2. Set dipswitch-1 to 'ON' position enabling the RECORD and PLAY buttons. *This will put the system into record mode and set the amplifier to 'OFF' on the front display card. The seven segment display will show [] [] and also generate a fault on the system.*

3. Select the message number you want to record using dipswitch-2 on the CMM-2:

- 'OFF' for message 1
- 'ON' for message 2

At this point the existing programmed message can be played by pressing the PLAY button.

4. Connect the speaker out of the PC to the MIC input connector on the amplifier using the supplied cable (CA-02-001) as shown in the diagram to the right. Connect the left and right channels together (Red and Green lines).

5. Put a short circuit between the PTT and 0V line as shown in figure above.

6. Press the RECORD button, a count down will be displayed on the seven segment display. Recording will start when the counter gets to zero which will be indicated by a flashing red LED.

7. Play the message from the external audio equipment. To stop recording, press the RECORD button a second time. A check will now initiate.

8. At the completion of the check, the seven segment display will indicate [] [] followed by the message number. The message is now saved and can be played back by pressing the PLAY button.

9. Repeat the same process to record the other message if required.

10. Set dipswitch-1 to the OFF to return the amplifier to normal mode.

11. ENSURE THE PA MICROPHONE IS RECONNECTED TO THE PRE AMPLIFIER WHEN FINISHED!

