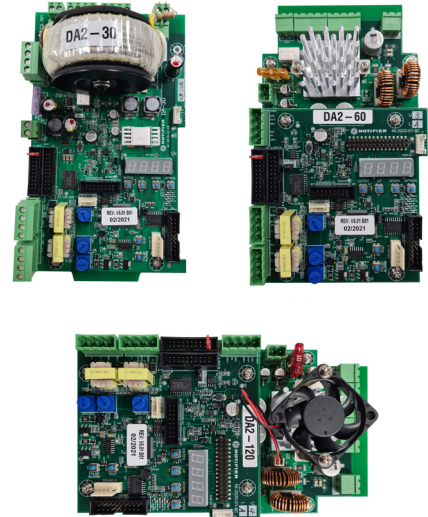


FEATURES

- ✓ AS4428.16 certified - Grade 3
- ✓ 17 pre-installed tones
- ✓ 9 pre-installed speech messages
- ✓ Optional customer message module for on-site recording and storing of 2 custom speech messages (CMM2)
- ✓ Additional inputs to initiate Lock-down, Chime, Test and False Alarms speech messages
- ✓ Fault monitoring of the 100V output lines for open and short circuit
- ✓ High efficiency Class D amplifier designed for superior intelligibility and lower current consumption
- ✓ 2-wire connection to all Notifier Fire Alarm Control Panel
- ✓ Background music & PA microphone analogue audio inputs
- ✓ Pre-installed test tones for ease of installation
- ✓ Supervised amplifiers through OWS-DA2-SAM-4
- ✓ Master/Slave feature allows to connect several DA2's allowing for higher power outputs or additional strobe outputs
- ✓ Up to 32 supervised speaker lines can be connected with OWS-DA2-SAM-4 Speaker Amplifier Monitoring and Distribution Modules



PRODUCT DESCRIPTION

The FireSense OWS-DA2 amplifier kits are a Grade 3 Sound System for Emergency Purposes (SSEP) certified to AS4428.16. These amplifier kits have been designed to provide sound reinforcement, voice messages and evacuation tones to aid rapid and orderly mobilisation of people in emergency situations. OWS-DA2-30W-KIT, OWS-DA2-60W-KIT and OWS-DA2-120W-KIT, OWS-DA2-SAM-4 and OWS-DA2-MIC are all components of the OWS-DA2 series.

OWS-DA2 amplifier kits provides three power output options: 30W, 60W and 120W. All building occupant warning amplifiers utilise digital amplification and tone generation to provide superior audio quality and efficiency.

The OWS-DA2-SAM-4 Speaker Amplifier Monitoring and Distribution Module is a compulsory component of the OWS-DA2 series, for AS4428.16 compliance. The four-way speaker amplifier monitoring and distribution module is used to provide monitoring of OWS-DA2 series amplifiers and to distribute four speaker lines to up to 4 areas of a building. It provides separate monitoring to each 100V output line and provides fault condition and fault relays. Each output can be disabled as required via an external switch. The OWS-DA2-SAM-4 includes a normally energised clean contact common-fault output and individual disable inputs for separately turning off each output.

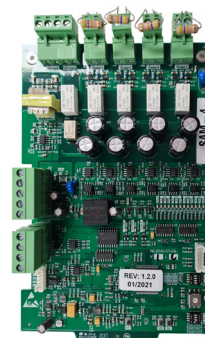
The OWS-DA2-MIC is a PA Microphone Kit on dished metalwork provides a CB-style microphone for the OWS-DA2 series to allow for non-emergency PA announcements. The OWS-DA2-MIC kit comes with the preamp, the metalwork and a microphone. The OWS-DA2-MIC is very space economical and only uses one panel slot.

APPROVALS

- ✓ AS ISO 4428.16- Grade 3
- ✓ ActivFire certified - Listing No. afp-3559

OWS-DA2-SAM-4 FEATURES

- ✓ AS4428.16 certified
- ✓ Amplifier monitoring
- ✓ Each speaker output line is individually monitored for Short and Open Circuit with a 47K end-of-line resistor
- ✓ LED indication is provided for S/C and O/C for each speaker output line
- ✓ Each speaker line is isolated so as a S/C or O/C will not affect the other speaker output lines
- ✓ Individual inputs to disable the speaker output line
- ✓ Fault output relay for connection to non-Notifier occupant warning systems
- ✓ Up to 8 OWS-DA2-SAM-4 modules can be connected to an amplifier module

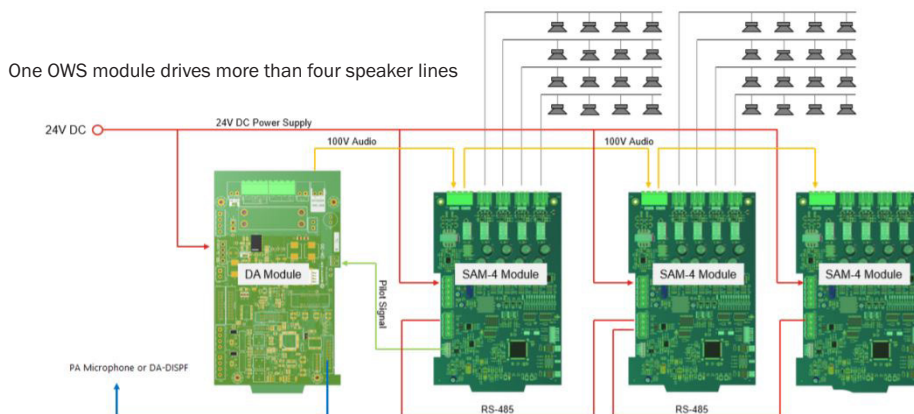
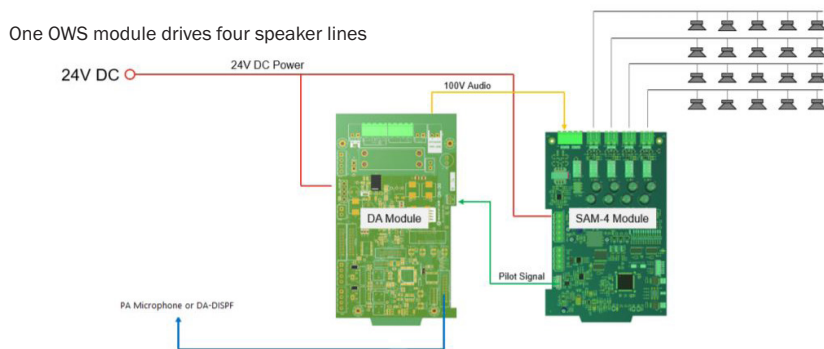


OWS-DA2-MIC FEATURES

- ✓ Comes with Pre-amp
- ✓ Push to talk (PTT) button on microphone. To activate the microphone, press the button on the side of the microphone



SYSTEM OVERVIEW



OWS-DA2-KIT SPECIFICATIONS

Standby Current	OWS-DA2-30W-KIT: 70mA OWS-DA2-60W-KIT: 170mA OWS-DA2-120W-KIT: 180mA
Alarm Current at Rated Output ^{1,2}	OWS-DA2-30W-KIT: 1.8A OWS-DA2-60W-KIT: 3.5A OWS-DA2-120W-KIT: 7.0A
Output Voltage (all models)	100V _{RMS}
Power Output	OWS-DA2-30W-KIT: 30W OWS-DA2-60W-KIT: 60W OWS-DA2-120W-KIT: 120W

1 System setup with PA Mic with, Pre-amplifier, full load and EOL connected across speaker terminals. Background music is disabled.

2 Outputting tone #16 with the rated power output down the speaker line activated via the CIE input.

OWS-DA2-SAM-4 SPECIFICATIONS

Supply Voltage	21.6Vdc to 30Vdc
Current Consumption (Normal)	37mA 27.3Vdc
Current Consumption (Max)	51mA at 27.3V (All outputs in fault)
Rated Audio Input (Power)	120W Max
Rated Audio Input (Voltage)	100V Max
Rated Audio Output Power	100W per Output (120W Total)
End of Line Resistor	47k, 1 Watt

OWS2-MIC SPECIFICATIONS

Dimensions	110mm W x 230mm H x 36.2mm D
------------	------------------------------

ORDERING INFORMATION

OWS-DA2-30W-KIT	30W BOWS amplifier main board c/w interconnect cable, EOL, stand-offs and screws
OWS-DA2-60W-KIT	60W BOWS amplifier main board c/w interconnect cable, EOL, stand-offs and screws
OWS-DA2-120W-KIT	120W BOWS amplifier main board c/w interconnect cable, EOL, stand-offs and screws
OWS-DA2-SAM-4	4-channel Speaker Amplifier Monitoring and Distribution Module
OWS-DA2-MIC	DA-PA Microphone Kit on dished metalwork for DA2-SERIES BOWS
PCB-993	Monitored strobe/sounder driver card

MESSAGE/CHIME LIST

00	Blank	
01	“Warning, the fire alarm has operated.”	
02	“Emergency! Evacuate now!”	3 seconds - Male Voice
03	“Emergency! Evacuate using the nearest fire exit”	4 seconds - Male Voice
04	“Emergency! Evacuate to the nearest assembly point”	4 seconds - Male Voice
05	“Warning, the fire alarm has operated. Stand by for further instructions”	6 seconds - Female Voice
06	“Emergency! Evacuate as directed”	3 seconds - Female Voice
07	“Attention, attention! An emergency exists. Please follow the lock down procedure”	6 seconds - Male Voice
08	“The emergency warning system is being tested”	3 seconds - Male Voice
09	“This has been a false alarm. You may return to your normal activity”	4 seconds - Male Voice
10	School bell sound	3 seconds
11	Custom recording 1 from CMM-2	
12	Custom recording 2 from CMM-2	

TONES LIST

00	Blank
01	Ramping T3
02	T3 - 520Hz
03	T3 - 800Hz
04	T3 - 970Hz
05	Ramping T3 - Reverse
06	T3 - 2860Hz
07	AS2220 Alert tone (<i>NOTE: This tone does not support a speech message</i>)
08	AS2220 Evacuation tone (<i>NOTE: This tone will play the speech message twice per cycle</i>)
09	510Hz and 610Hz Alternating
10	800Hz and 970Hz Alternating
11	800Hz to 970Hz Ramping @ 2Hz
12	800Hz to 970Hz Ramping @ 1Hz
13	800Hz to 970Hz Ramping @ 0.5Hz
14	420Hz 0.625s on 0.5s off
15	520Hz continuous tone (<i>NOTE: This tone does not support a speech message</i>)
16	970Hz Continuous - Test tone <i>NOTE: Use this tone to get a constant tone out to measure the line output voltage</i> <i>NOTE: This tone does not support a speech message</i>
17	970Hz 0.5s on 3.5s off <i>NOTE: This tone can be used during installation to test speaker connection whilst providing a minimum level of disturbance to occupants</i> <i>NOTE: This tone does not support a speech message</i>