

### FEATURES

- ✓ 1m to 6m testing range
- ✓ Lighter weight
- ✓ Holds battery charge for longer
- ✓ Supports fast charging
- ✓ Accurately simulates a pan fire
- ✓ Operating temperature -10°C to +55°C
- ✓ Sturdy carry case provided
- ✓ Up to 40 tests each of 30 seconds



### PRODUCT DESCRIPTION

The Talentum Test Torch is a test and calibration unit explicitly designed to work with the full range of Talentum® flame detectors. Using the intuitive menu, choose the type of flame detector to be tested; squeeze the trigger, and the unit will automatically perform a test from a distance of up to 6 metres, which means that in many applications, the flame detector can be tested from ground level.

The unit recreates the characteristic spectrum of a flame using a combination of UV and IR bulbs. Once testing is complete, the test torch can store your test results for download to a PC.

In addition to the testing functionality, the test torch can recalibrate a Talentum® flame detector. Connect the Calibration kit (sold separately) and follow the menu instructions.

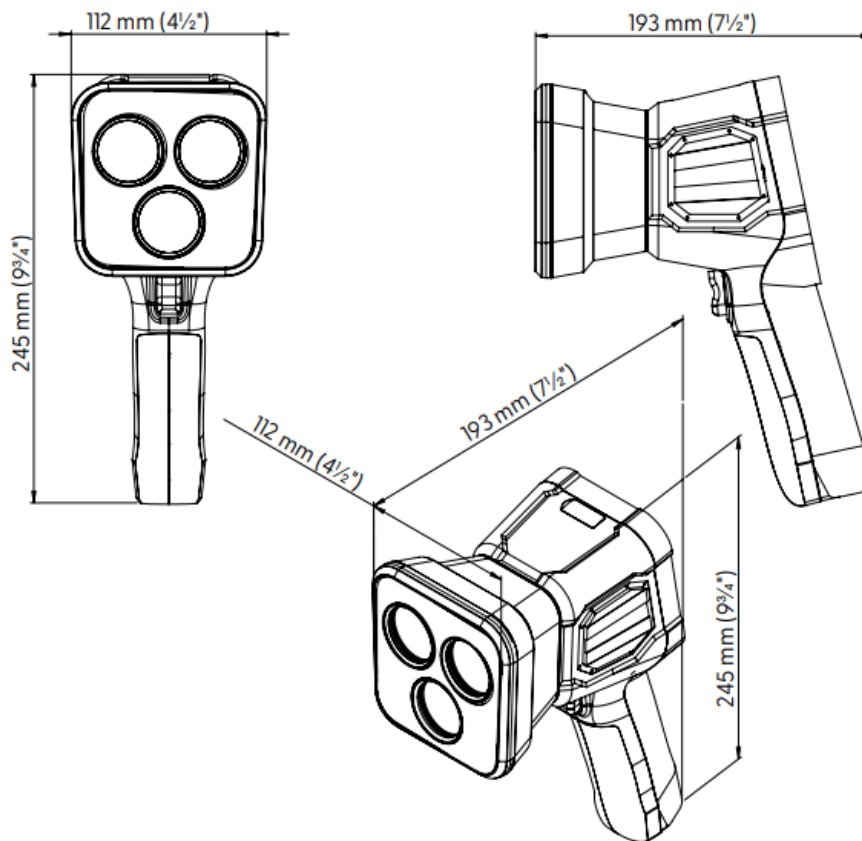
### TECHNICAL SPECIFICATIONS

Suitability	Talentum UV, UV/IR, UV/IR2, IR3 Flame Detectors
Range	1-6 m (max)
Test time	Up to 40 tests each of 30 seconds
Service interval	2000 tests, or 2 years
Batteries	Lithium Ion rechargeable
Battery charging time	3 hours (fast), 8 hours (norm)
Charging and data port	USB type C
Weight	0.85 kg; 1.28 kg with Calibration Kit
Dimensions	112(w) x 245(h) x 193(d) mm
Operating temperature	-10 °C to +55 °C
Storage temperature	-20 °C to +65 °C
Field calibration record	1024 calibrations

#### ORDERING INFORMATION

INT-TEST-TORCH	Talentum Test Torch
----------------	---------------------

#### DIMENSIONS



#### ACCESSORIES

- ✓ **INT-CAL-KIT:** Calibration kit to suit Talentum Test Torch